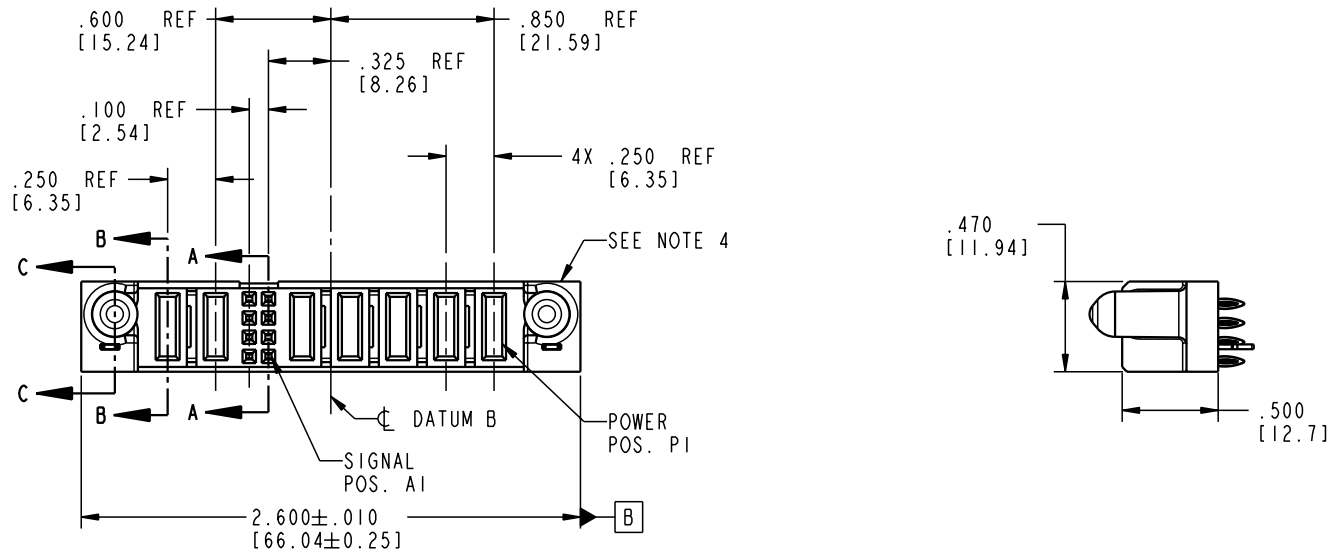


Tous droits strictement réservés. Reproduction ou communication o des liers interdite sous quelque forme que ce soit sans autorisation écrite du propriétaire. Propriete de c FCI. Droits de reproduction FCI.

All rights strictly reserved. Reproduction or issue to third parties in any form, whenever is not permitted without written authority from the proprietor. Property of FCI. Copyright FCI.



PRODUCT NO.	ROWS	POWER		SIG		POWER					
		E2	P7	P6	2	1	P5	P4	P3	P2	P1
51750-054	D C B A		PF	PC		PC	PF	PC	PF	PC	



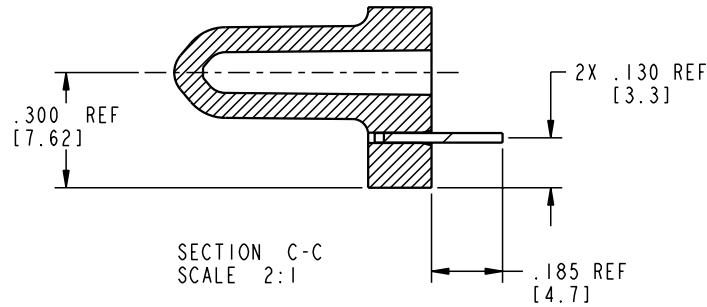
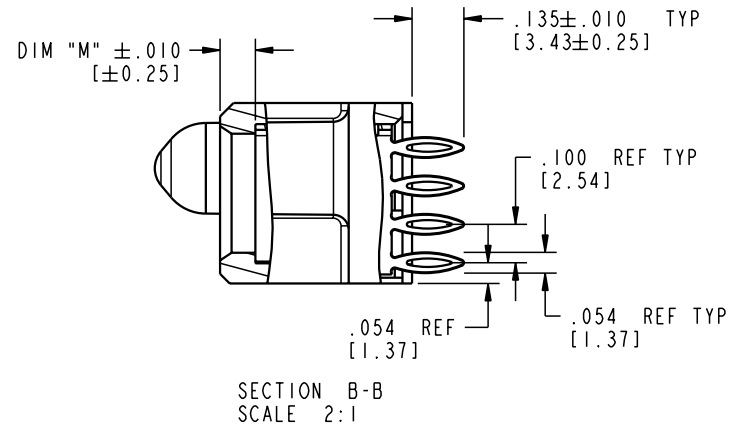
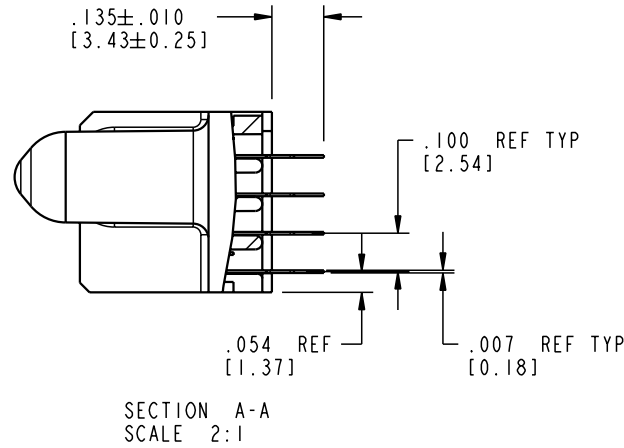
CODE	DIM "M" MATING LENGTH	CONTACT TYPE
F	N/A [N/A]	SIGNAL
PC	.042 [1.07]	POWER
PF	.092 [2.34]	POWER
HA	N/A [N/A]	HOLD-DOWN

mat'l code				SEE NOTE 2		tolerances unless otherwise specified		CUSTOMER		 www.fciconnect.com	
ltr	ecn no.	dr	date	linear	.XX±.01/0.X±0.3		COPY		title		
A	V04-0067	TAB	01/21/04		.XXX±.005/0.XX±0.13		projection		5P + 8S + 2P		
				angles	.XXX±.0020/0.XXX±0.051				VERTICAL PRESS-FIT RECEPT		
				dr	T. BRUNGARD	01/21/04	INCH/MM		product family		code
				engr	M. GRAY	01/21/04			PwrBlade		213
				chr	M. GRAY	01/21/04	scale		size		sheet
				appd	M. GRAY	01/21/04	1:1		A		51750-054
sheet index		revision sheet	A	A	A	A					1 of 4
		1	2	3	4						

Tous droits strictement réservés. Reproduction ou communication o des tiers interdite sous quelque forme que ce soit sans autorisation écrite du propriétaire. Propriete de c FCI. Droits de reproduction FCI.

All rights strictly reserved. Reproduction or issue to third parties in any form, whatever is not permitted without written authority from the proprietor. Property of FCI. Copyright FCI.

PRODUCT NUMBER
51750-054



mat'l code				SEE NOTE 2		tolerances unless otherwise specified		CUSTOMER		 www.fciconnect.com	
ltr	ecm no.	dr	date	linear	.XX±.01/0.X±0.3		COPY		 title 5P + 8S + 2P VERTICAL PRESS-FIT RECEIPT		
A					.XXX±.005/0.XX±0.13		projection		product family PwrBlade code 213		
					.XXXX±.0020/0.XXX±0.051		 INCH/MM		size dwg no A 51750-054 sheet 2 of 4		
					° ±°		scale		1:1		
					dr	T. BRUNGARD	01/21/04				
				enr	M. GRAY	01/21/04					
				chr	M. GRAY	01/21/04					
				appd	M. GRAY	01/21/04					
sheet index	revision sheet										

Pro/E

cage code 22526

PDM: Rev:A

STATUS: Released

Printed: Aug 14, 2007

Tous droits strictement réservés. Reproduction ou communication o des tiers interdite sous quelque forme que ce soit sans autorisation écrite du propriétaire. Propriété de c FCI. Droits de reproduction FCI.

A
FCI

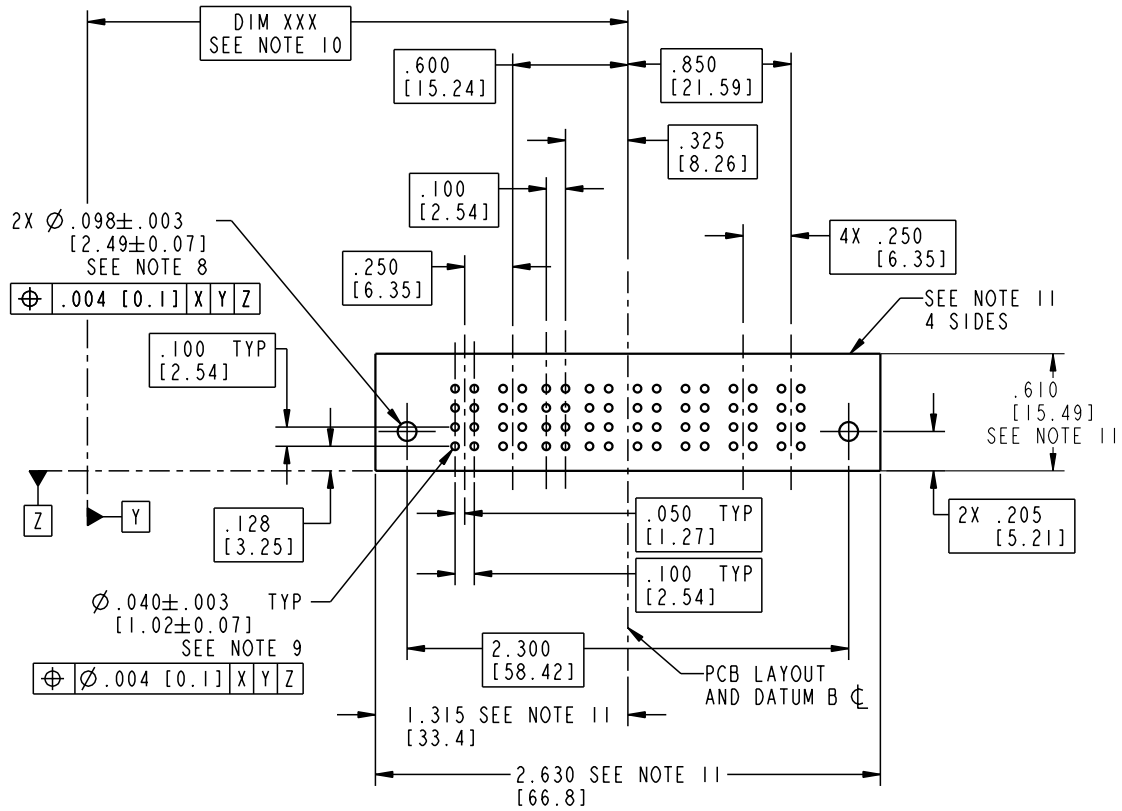
All rights strictly reserved. Reproduction or issue to third parties in any form, whenever is not permitted without written authority from the proprietor. Property of FCI. Copyright FCI.

A

A
FCI

B

PRODUCT NUMBER
51750-054



A

B

mat'l code				SEE NOTE 2		tolerances unless otherwise specified		CUSTOMER		 www.fciconnect.com	
ltr	ecn no.	dr	date	linear	.XX±.01/0.X±0.3	projection	COPY		title		
A				angles	.XXX±.005/0.XX±0.13				5P + 8S + 2P		
				dr	.XXXX±.0020/0.XXX±0.051	INCH/MM			VERTICAL PRESS-FIT RECEPT		
				enr	0° ± 2°	scale	T. BRUNGARD 01/21/04		product family		code
				chr		1:1	M. GRAY 01/21/04		PwrBlade		213
				appd			M. GRAY 01/21/04		size		sheet
sheet index		revision sheet						A		3 of 4	
								51750-054			

1 | 2

3 |

4

1 | 2

Pro/E

3 |

cage code 22526

4

PDM: Rev:A

STATUS: Released

Printed: Aug 14, 2007

Tous droits strictement réservés. Reproduction ou communication o des tiers interdite sous quelque forme que ce soit sans autorisation écrite du propriétaire. Propriete de c FCI. Droits de reproduction FCI.

A
FCI

All rights strictly reserved. Reproduction or issue to third parties in any form, whatever is not permitted without written authority from the proprietor. Property of FCI. Copyright FCI.

B

PRODUCT NUMBER
51750-054

NOTES:

1. DIMENSIONS AND TOLERANCES ARE IN ACCORDANCE WITH ASME Y14.5M, 1994 UNLESS OTHERWISE SPECIFIED.

CONNECTOR NOTES:

2 HOUSING MATERIAL: UL 94 V-0 GLASS FILLED

HIGH-TEMP THERMOPLASTIC
POWER CONTACT MATERIAL: COPPER ALLOY
SIGNAL PIN MATERIAL: COPPER ALLOY

3. PLATING:
SIGNAL PINS: 30u"/0.76um Au OVER 50u"/1.27um Ni
POWER CONTACTS: 50u"/1.27um Ni UNDER ALL WITH 30u"/0.76um Au ON CONTACT AREA AND SnPb ON PCB INTERFACE

4 MANUFACTURER'S NAME, P/N, AND DATE CODE TO APPEAR ON THIS SURFACE.

5. PRODUCT SPECIFICATION GS-12-149.
APPLICATION SPECIFICATION BUS-20-067.

6. PACKAGED IN TRAYS.

PCB NOTES:


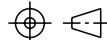
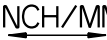
7. ALL HOLE DIAMETERS ARE FINISHED HOLE SIZE.

8 MOUNTING HOLES, WHERE APPLICABLE, ARE UNPLATED.

9 $\varnothing .0453 \pm .0010$ [1.151 \pm 0.025] DRILLED HOLES PLATED WITH .0003 [0.008] MIN SnPb OVER .001 [0.03] TO .003 [0.08] Cu PLATING TO ACHIEVE $\varnothing .040 \pm .003$ [1.02 \pm .07] HOLE.

10 "DIM XXX" TO BE DETERMINED BY THE CUSTOMER.

11 CONNECTOR KEEP-OUT ZONE.

mat'l code				SEE NOTE 2		tolerances unless otherwise specified		CUSTOMER		 www.fciconnect.com	
ltr	ecn no.	dr	date	linear	.XX±.01/0.X±0.3		COPY		 title 5P + 8S + 2P VERTICAL PRESS-FIT RECEPT		
A					.XXX±.005/0.XX±0.13		projection				
				angles	.XXX±.0020/0.XXX±0.051		 INCH/MM		product family PwrBlade code 213 size dwg no 51750-054 sheet 4 of 4		
					° ± °		scale 1:1				
				dr	T. BRUNGARD	01/21/04					
				enr	M. GRAY	01/21/04					
				chr	M. GRAY	01/21/04					
				appd	M. GRAY	01/21/04					
sheet index	revision sheet										

A

B

1 | 2

3 |

4

1 | 2

Pro/E

3 |

cage code 22526

4